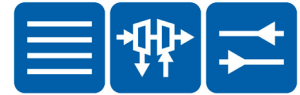


COAD-1xx/2xx-SS



Dual Fiber, Single Sided CWDM Add and Drop Multiplexer



Features

- Low insertion loss
- Wide pass band
- High channel isolation
- High stability and reliability
- Epoxy free optical path

Applications

- WDM network
- Telecommunication
- Metro network
- Access system

Product description

The COAD-1xx/2xx-SS is a fully passive modular CWDM, Dual Fiber, Single Side, 1 or 2 channel Add Drop Multiplexer (OADM) unit for fiber optimization. The unit does not require electrical power and configuration effort. The units can also be used as a 1 or 2 channel CWDM Mux/Demux unit with Service Channel support by use of the Express port.

The dual slot 1U high chassis can be equipped with up to two modular units.

Opticonnect's passive modular systems are ideal for fiber optimization in combination with our modular media converter series and WDM pluggable optics.



All product specifications are subject to change without notice to improve reliability, function or design or otherwise.

Opticonnect SYSTEMS B.V., an Optical Networking vendor with its headquarters in the Netherlands, provides Optical Transport solutions and Optical Transceivers at the best price performance ratio possible. Our goal is to simplify the planning, deployment and maintenance of

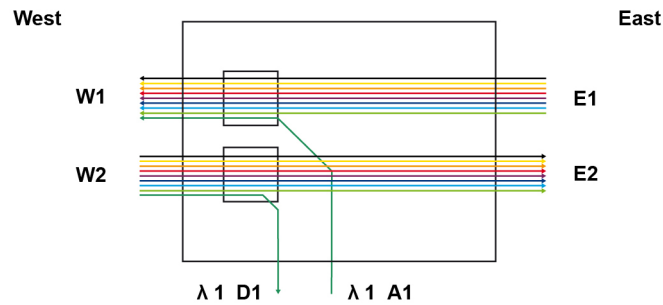
complex Optical Networks. This is achieved by our user friendly planning apps and information, sophisticated products and transparent support. Relying on our superior product quality, all items are supplied with life time warranty.

Order information

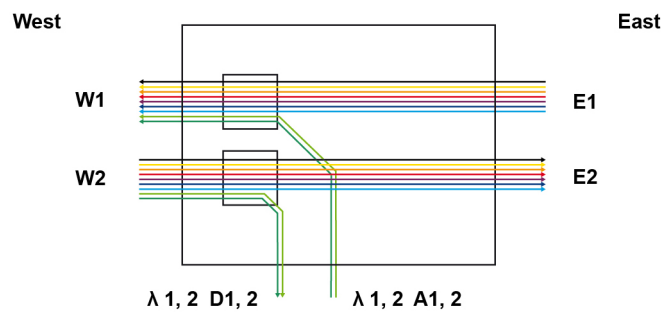
Productcode	Product description
COAD-1xx-SS	CWDM Dual Fiber, Single Sided, 1 Channel OADM Module, in a 1U 19" chassis, LC/UPC Connectors, Channel 1470 ~ 1610, xx= Channel
COAD-1xx-SSM	CWDM Dual Fiber, Single Sided, 1 Channel OADM Module, Module only, LC/UPC Connectors, Channel 1470 ~ 1610, xx= Channel
COAD-2xx-SS	CWDM Dual Fiber, Single Sided, 2 Channel OADM Module, in a 1U 19" chassis, LC/UPC Connectors, Channel 1470 ~ 1590, xx= First Channel
COAD-2xx-SSM	CWDM Dual Fiber, Single Sided, 2 Channel OADM Module, Module only, LC/UPC Connectors, Channel 1470 ~ 1590, xx= First Channel

Function

COAD-1xx-SS(M) (xx is the wavelength)



COAD-2xx-SS(M) (xx is the wavelength of the first channel)



Performance specifications

Parameter			
Productcode		COAD-1xx-SS(M)	COAD-2xx-SS(M)
Operating wavelength		1470~1610 nm	
Wavelength number		1	2
Center wavelength accuracy		±0.5 nm	
Bandwidth @ -0.5 dB		≥ 14	
Insertion loss	Port Add λi to Port W1	≤0.6 dB	≤1.0 dB
	Port W2 to Port Drop λi	≤0.6 dB	≤1.0 dB
	Port E1 to W1, W2 to E2	≤0.4 dB	≤0.7 dB
Directivity		≥ 50 dB	
Return loss		≥ 45 dB	
Adjacent channel isolation		≥ 30 dB	
Non-Adjacent channel isolation		≥ 40 dB	
Polarization loss		≤0.1 dB	
Temperature dependent loss		≤0.15 dB	≤0.20 dB
Optical power handling		≥ 300 mW	
Operating temperature		0 to +65 °C	
Storage temperature		-40 to +85 °C	
Fiber type/length		SMF-28e, 1+/-0.1m	
Connector type		LC	
Packaging dimension			

Note: All parameters are excluding connectors.

