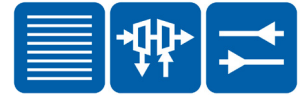


## DOAD-1xx/2xx-DS

Dual Fiber, Dual sided 100Ghz DWDM  
Add and Drop Multiplexer



### Features

- 100GHz ITU Channel Spacing
- Low Insertion loss
- Wide Pass Band
- High Channel Isolation
- High Stability and Reliability
- Epoxy Free Optical Path

### Applications

- Channel Add/Drop
- DWDM Network
- Wavelength Routing
- CATV Fiberoptic System

### Product description

The DOAD-1/2-DS is a fully passive modular DWDM, Dual Fiber, Dual Side, 1 or 2 channel Add Drop Multiplexer (OADM) unit for fiber optimization. The dual sided OADM is a single unit for Bi-Directional Optical Ring Switching. The unit does not require electrical power and configuration effort.

The dual slot 1U high chassis can be equipped with up to two modular units.

Opticonnects passive modular systems are ideal for fiber optimization in combination with our modular media converter series and WDM pluggable optics.



All product specifications are subject to change without notice to improve reliability, function or design or otherwise.

*Opticonnect SYSTEMS B.V., an Optical Networking vendor with its headquarters in the Netherlands, provides Optical Transport solutions and Optical Transceivers at the best price performance ratio possible. Our goal is to simplify the planning, deployment and maintenance of*

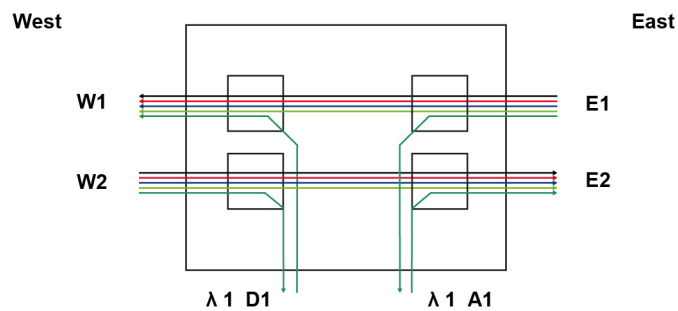
*complex Optical Networks. This is achieved by our user friendly planning apps and information, sophisticated products and transparent support. Relying on our superior product quality, all items are supplied with life time warranty.*

## Ordering information

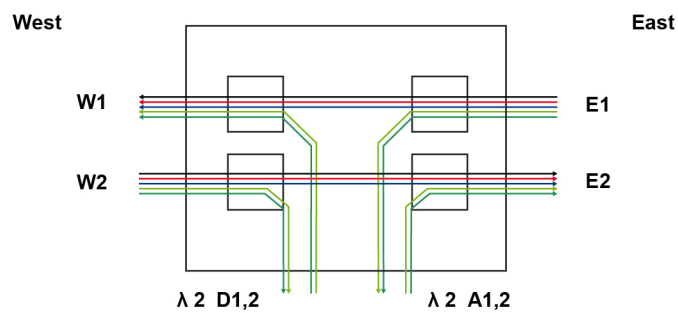
Partnumber	Description
DOAD-1xx-DS	DWDM Dual Fiber, Dual sided, 1 Channel OADM Module, in a 1U 19" chassis, LC/UPC Connectors, Channel 29 ~ 36, xx = Channel
DOAD-1xx-DSM	DWDM Dual Fiber, Dual sided, 1 Channel OADM Module, Module only, LC/UPC Connectors, Channel 29 ~ 36, xx = Channel
DOAD-2xx-DS	DWDM Dual Fiber, Dual sided, 2 Channel OADM Module, in a 1U 19" chassis, LC/UPC Connectors, Channel 29 ~ 35, xx= First Channel
DOAD-2xx-DSM	DWDM Dual Fiber, Dual sided, 2 Channel OADM Module, Module only, LC/UPC Connectors, Channel 29 ~ 35, xx= First Channel

## Function

### DOAD-1xx-DS (xx is the wavelength)



### DOAD-2xx-DS (xx is the wavelength)



## Performance specifications

Parameter			
Product code		<b>DOAD-1xx-DS(M)</b>	<b>DOAD-2xx-DS(M)</b>
Operating Wavelength		29 ~ 37 ITU grid	
Wavelength Number		1	2
Center Wavelength Accuracy		±0.05 nm	
Bandwidth @ -0.5 dB		±0.22 nm	
Insertion Loss	Port Add λi to Port W	≤1.2 dB	≤1.2 dB
	Port E to Port Drop λi	≤1.2 dB	≤1.5 dB
	Port E to Port W	≤1.4 dB	≤1.4 dB
Directivity		≥ 50 dB	
Return Loss		≥ 45 dB	
Isolation	Adjacent	≥ 30 dB	
	Non-Adjacent	≥ 40 dB	
Polarization Dependent Loss		≤0.1 dB	
Temperature Dependent Loss		≤0.15 dB	≤0.20 dB
Optical Power Handling		≥ 300 mW	
Operating Temperature		0 to +65 °C	
Storage Temperature		-40 to +85 °C	
Fiber Type/length		SMF-28e, 1+/-0.1m	
Connector Type		LC/UPC	
Packaging Dimension		19inch 1U Chassis, 429x232x43.6mm	

Note: All Parameters are excluding connectors.

